

MWE485-TDM

RS232 to RS485/422 Enhanced 3-end Isolation Interface Converter



- Support conversion of a RS232 to a RS485/422 port
- Support transparent transmission, auto-sensing baud rate 300bps to 115200bps
- Support RS485 data flow direction auto control, 128 nodes polling
- Support 15kV static protection and 600W/ms lightning protection
- Support RS232, RS485/422 and power 3-end isolation
- Support DC5V or DC9~30V power input
- Support working temperatures from -40 °C to +85 °C



Product Description

The MWE485-TDM is an enhanced 3-end isolation RS232 to RS485/422 interface converter. It can achieve bidirectional data conversion between serial ports, and the converter can automatically detect the baud rate of the serial port and be convenient to use, the data flow will not be lost even if the baud rate of the device changes. It uses I/O circuit to automatically control the direction of data flow, no need for handshake signal settings, ensuring compliance with existing communication software and interface hardware. It supports hot plug and can operate stably even in temperature environments ranging from -40 °C to +85 °C. It can be widely used in indoor and outdoor serial field-bus systems.



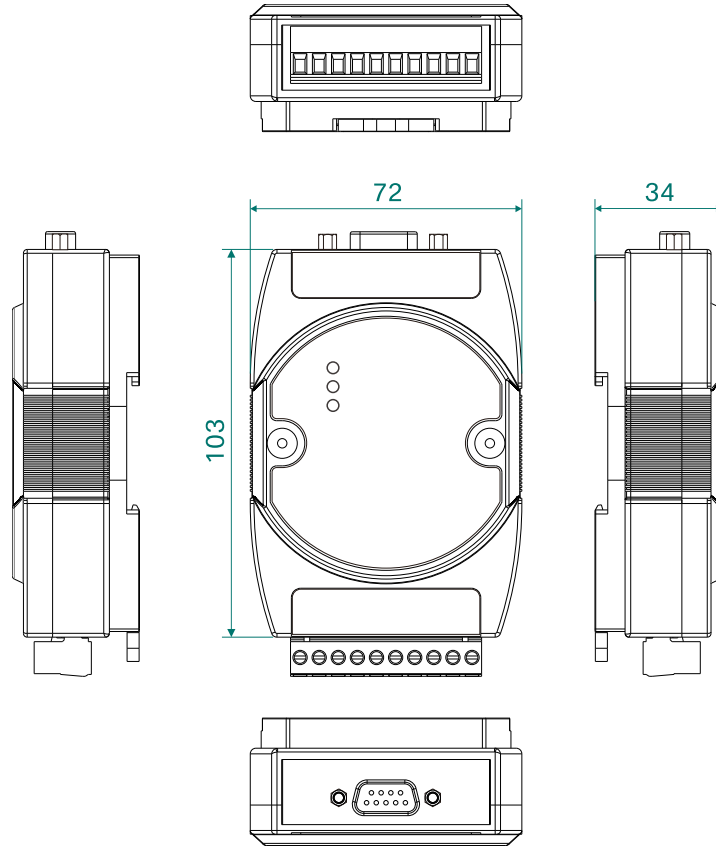
Specification

Interface	
Serial Port	Standard: Compliant with EIA RS232, RS485 and RS422 standards Number of port: 1 RS232 to 1 RS485/422 RS232 signal: TX, RX, GND RS485/422 signal: A+/T+, B-/T-, GND, R+, R- Baud rate: 300bps~115200bps Communication distance: RS232: 5m. RS485/42:1.2km(19200bps) Load capacity: RS485/422 support 128 nodes polling Direction control: RS485 data flow direction auto control Connection method: RS232: DB9F. RS485/422: 5.08mm pitch 10-pin terminal block Port protection: 15kV static protection and 600W/ms lightning protection Optical isolation: 2.5kV
Status LED	Power LED, data sending LED, data receiving LED
Power	
Power Input	DC5V or DC9~30V,with isolation
Working Current	<15mA
Connection	5.08mm pitch 10-pin terminal block, 3 pins for power
Physical Characteristics	
Dimensions	103×72×34 mm(DIN rail mounting clip excluded)
Installations	Easy installation on 35mm DIN rails
Weight	About 82g
Working Environment	
Operating Temp	-40℃~+85℃
Storage Temp	-40℃~+85℃
Relative Humidity	5%~95% (non-condensing)



Dimensions

Unit:mm





Ordering Information

Model	RS232	RS485/422	Power Voltage
MWE485-TDM	1	1	DC5V or DC9~30V



Contact Us

Wuhan Maiwe Communication Co., Ltd

Address: No.52 Liufang Avenue, East lake High-tech Development Zone, Wuhan, China.

Tel: 027-87170217

Mail: enquiry@maiwe.com

Official site: www.maiwe.com

Copyright © Maiwe Communication All rights reserved