

MWE485-TD

RS232 to RS485/422 High-speed Isolation Interface Converter



- Support conversion of a RS232 to a RS485/422 port
- Support transparent transmission, auto-sensing baud rate 300bps to 115200bps
- Support RS485 data flow direction auto control, 128 nodes polling
- Support 15kV static protection and 600W/ms lightning protection
- Support 2.5kV optical isolation protection
- Support DC5V or DC9~30V power input
- Support working temperatures from -40 °C to +85 °C



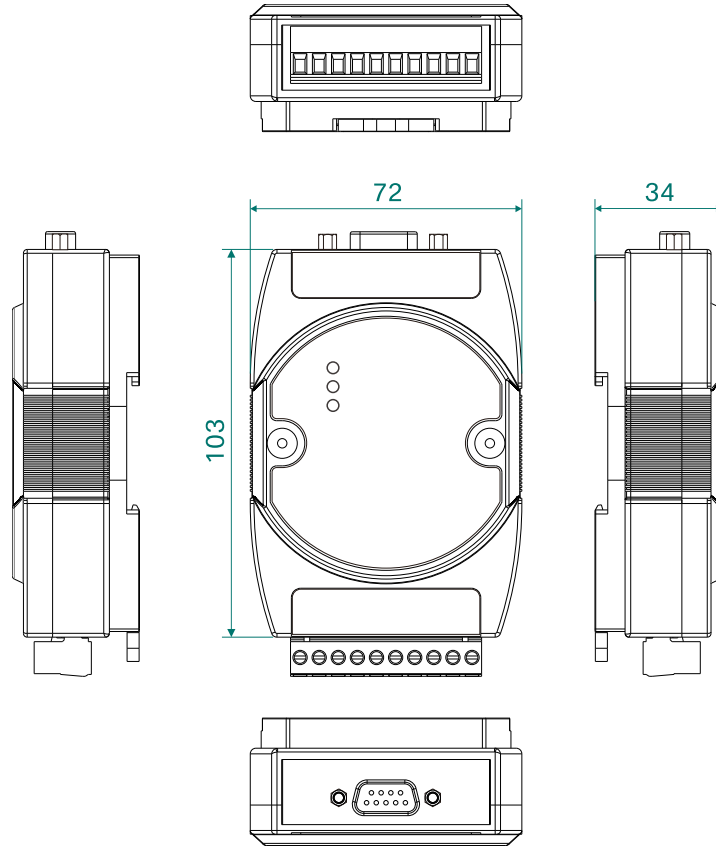
Product Description

The MWE485-TD is a high-speed isolation RS232 to RS485/422 interface converter. It can achieve bidirectional data conversion between serial ports, and the converter can automatically detect the baud rate of the serial port and be convenient to use, the data flow will not loss even if the baud rate of the device changes. It uses I/O circuit to automatically control the direction of data flow, no need the handshake signal settings, ensuring compliance with existing communication software and interface hardware. It supports hot plug and can operate stably even in temperature environments ranging from -40 °C to +85 °C. It can be widely used in indoor and outdoor serial field-bus systems.



Dimensions

Unit:mm





Ordering Information

Standard Model	RS232	RS485/422	Power Voltage
MWE485-TD	1	1	DC5V or DC9~30V



Contact Us

Wuhan Maiwe Communication Co., Ltd

Address: No.52 Liufang Avenue, East lake High-tech Development Zone, Wuhan, China.

Tel: 027-87170217

Mail: enquiry@maiwe.com

Official site: www.maiwe.com

Copyright © Maiwe Communication All rights reserved