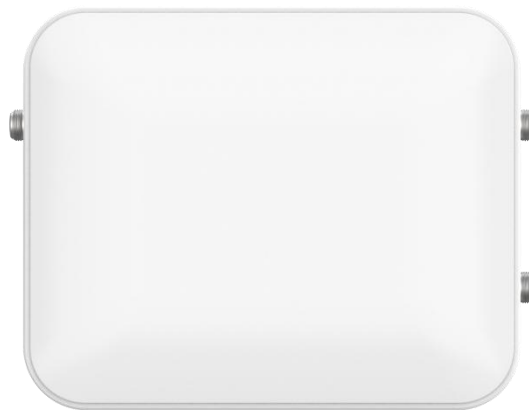


# MIAP6500-3N25-2T

Industrial Pole-Type 100M Dual-Band Wi-Fi 5 Wireless AP



- Support 1×100M WAN/LAN multiplexing port (PoE powered), 1×100M LAN port, 2×2.4GHz antenna Interface and 1×5GHz antenna Interface
- Support five working modes of routing, AP, relay, bridge and client to meet different application scenarios
- Support 802.11k/v/r fast roaming. When wireless roaming terminals move between multiple identical WLANs, they can achieve fast switching, low latency, and smooth transition
- Support functions such as fast roaming, fast discovery, automatic synchronization, entire network management and batch upgrade under AC control
- Support WDS wireless and WISP universal bridging to expand and extend wireless signals
- Support firewall and service functions such as port forwarding, IP/MAC speed limiting/filtering, DMZ, QoS, intranet penetration, DDNS, VPN, SNMP, LLDP, etc.
- High-strength aluminum alloy bottom shell, IP67 protection level, fanless shell for heat dissipation, the device can reliably work in harsh industrial environments of -40℃~+70℃





## Product Description

MIAP6500-3N25-2T is an outdoor pole-type 100M dual-band Wi-Fi 5 industrial-grade wireless AP independently developed by Wuhan Maiwe Communications Co., Ltd., with a dual-band concurrent rate of up to 733Mbps. This product provides 2\*2.4GHz antenna Interface, 1\*5GHz antenna Interface, 1\*100M WAN/LAN multiplexing port and 1\*100M LAN port. The WAN/LAN multiplexing port is a copper port and support PoE power supply. The LAN port is a 100M copper port and adopt a pole-type IP67 waterproof enclosure to meet the needs of various network sites.

The product support WEB configuration of various network management functions, such as routing/AP/relay/bridging/client mode, universal/WDS bridging, fast roaming, AC control, dynamic/static/PPPoE dial-up networking, IP address conflict detection, DHCP server, IP/MAC binding, 2.4GHz/5GHz settings, black and white list, static routing, network diagnosis, firewall, intranet penetration, DDNS, VPN, SNMP, LLDP, NTP, etc. the system provides user management with different permissions and support local/remote log management support scheduled restart, configuration backup and recovery, firmware upgrade, and factory settings restoration. The hardware adopts high-standard industrial protection design, with selected industrial-grade components and high-strength aluminum alloy bottom shell, which is sturdy and durable; low power consumption, wide temperature design, fanless shell heat dissipation, support  $-40^{\circ}\text{C}\sim+70^{\circ}\text{C}$  operating temperature. It has passed strict safety and EMC tests to meet the application requirements of harsh industrial environments. Products can be widely used in industrial automation, integrated energy, smart cities, smart transportation, smart mines, smart factories and other fields.



## Features and Benefits

- Support Wi-Fi 5 dual-band WLAN wireless LAN, 2.4GHz theoretical maximum rate 300Mbps, 5GHz theoretical maximum rate 433Mbps
- Support routing mode and can connect to the external network through dynamic/static/PPPoE dial-up methods to realize wired and wireless terminal networking
- Support AP mode, which can convert the wired network into a wireless network, allowing wireless terminals to access the wired network, and the AC is controllable
- Support relay mode, which can amplify the upper-level wireless network and convert it into wired and wireless networks to achieve wired and wireless terminal access
- Support bridge mode, which can convert wireless networks into wired and wireless networks to achieve wired and wireless terminal access
- Support client mode, which can convert the wireless network into a wired network and enable wired terminals to access the wireless network
- Support IP address conflict detection, quickly locates the source of IP conflicts and avoids network failures
- Support DHCP server to centrally dynamically manage and configure user IP addresses
- Support DHCP access device management, binding client IP and MAC address to avoid IP address changes or conflicts
- Support 802.11k/v/r fast roaming, reduces the number of information interactions through FT protocol, achieves low latency, and improves user Internet experience
- Support multiple country code switching, suitable for channels in different regions
- Support transmission power adjustment, limit on the number of connected users, SSID hiding, user isolation, WDS bridging, etc.
- Support WEP-OPEN/ SHARE-AUTH, WPA/WPA2-PSK encryption methods, CCMP, and TKIP encryption algorithms
- Support wireless user management, black/white list can filter wireless users, prohibit/allow designated wireless users to access
- Support static routing, which can accurately control network routing selection, improve network performance, and ensure network bandwidth.
- Support IPv4/IPv6 Ping, IPv4/IPv6 Traceroute, Nslookup, network packet capture, and can perform network diagnosis or fault analysis
- Support SYN-flood defense, port forwarding, IP/MAC/DNS address filtering, iptables command custom rules, DMZ isolation zone, UPnP, IP/MAC network speed control, QoS services and other firewall functions
- Support NTP client and server functions, can perform clock synchronization or provide clock source
- Support hierarchical management of user rights and SSH, HTTP/HTTPS access control
- Log information records multiple levels of kernel, application and network information, and Support local downloading, scheduled saving, and remote monitoring.
- Support Peanut Shell intranet penetration, and can use Peanut Shell dynamic domain name to remotely log in and manage equipment
- Support dynamic DNS function, and can remotely log in and manage the device through the specified

domain name

- Support VPN client and server to build a dedicated network. The client Support tunnel protocols such as PPTP, L2TP, IPSec, OpenVPN, and GRE. The server Support protocols such as PPTP, L2TP, and IPSec.
- Support SNMPv1/v2c and SNMP Trap. Information query, information modification and troubleshooting can be carried out through MIB to achieve centralized management.
- Support LLDP, obtains LLDP neighbor device information, and monitors link status to facilitate topology management and fault location.
- AP mode supports quick discovery of ACs on Layer 2 and Layer 3 networks, and automatic registration and online functions
- AP mode supports AC controller wireless radio frequency parameter configuration and entire network management functions
- AP mode supports automatic synchronization of configuration parameters when online, and periodically reports device and wireless terminal information
- AP mode supports AC controller wireless black and white list configuration function
- AP mode supports fast roaming function under AC controller to realize roaming switching function of wireless terminal equipment
- AP mode supports multiple upgrade methods such as single upgrade, batch upgrade, online and online automatic upgrade under the AC controller
- AP mode supports wired or wireless rescue network. When the network is abnormal, access the fixed IP through the wired or wireless network to log in to the WEB management device



## Specification

Software	
Network Management Function	Support traffic statistics, operating status, network status, local address and other status information or wireless information Support routing mode, AP mode, relay mode, bridge mode, client mode
Firewall	Support SYN-flood defense, IP dynamic camouflage, MSS clamping, inbound/outbound data control
Systems Management	Support IPv4/IPv6 Ping, IPv4/IPv6 Traceroute, Nslookup, and capture network packets Support time zone, NTP client/server, Crontab, remote/local log Support user rights management, SSH, HTTP/HTTPS access control Support online restart, scheduled restart, configuration backup/restore, firmware flash, and factory settings restore
Wi-Fi	
Wireless Standards	2.4GHz 802.11b/g/n 5GHz 802.11a/n/ac
Frequency Range	2.412GHz~2.484GHz, 5.18GHz~5.825GHz
Band Bandwidth	20MHz/40MHz/80MHz

## ☑☑☑ Specification

Maximum Transfer rate (theoretical value)	2.4GHz: 300Mbps 5GHz: 433Mbps
Maximum Transmit Power	IEEE802.11ac:12±2dBm @Ht80 MCS9 /5GHz band IEEE802.11ac:16±2dBm @Ht80 MCS0 /5GHz band IEEE 802.11n:13-16dBm @HT20/40 MCS7 IEEE 802.11g:14-17dBm @54MHz IEEE 802.11b:16-20dBm @11MHz
Receive Sensitivity	VHT80 MCS9:-58dBm@10%PER(MCS9) /5GHzband HT40 MCS7:-69dBm@10% PER(MCS7) HT20 MCS7:-71dBm@10% PER(MCS7) 54M:-75dBm@10% PER 11M:-88dBm@ 8% PER

### Interface

100M WAN (PoE)	1×10/100Base-T(X) auto-sensing WAN/LAN multiplexing port,using RJ45,support full/half duplex, MDI/MDI-X adaptive; Support standard PoE power receiving, compliant with IEEE802.3af/ at standard
100M LAN	1×10/100Base-T(X) auto-sensing LAN port, using RJ45, supporting full/half duplex, auto MDI/MDI-X
Antenna Interface	2×2.4GHz antenna Interface and 1×of 5GHz antenna Interface, both using N-K type (Female)
Indicator	Power indicator, operation indicator, WAN indicator, LAN indicator, WiFi indicator

### Power Supply

Power Input	Standard PoE DC48V power receiving interface (DC44~57V input)
Consumption	<5W
Connection	RJ45 (WAN port)

### Physical Characteristics

Dimension	242.5×198.5×82(mm) (excluding antenna and hoop)
Installation	Pole installation
IP Code	IP67
Weight	About 1.55kg (excluding antenna and hoop)

### Working Environment

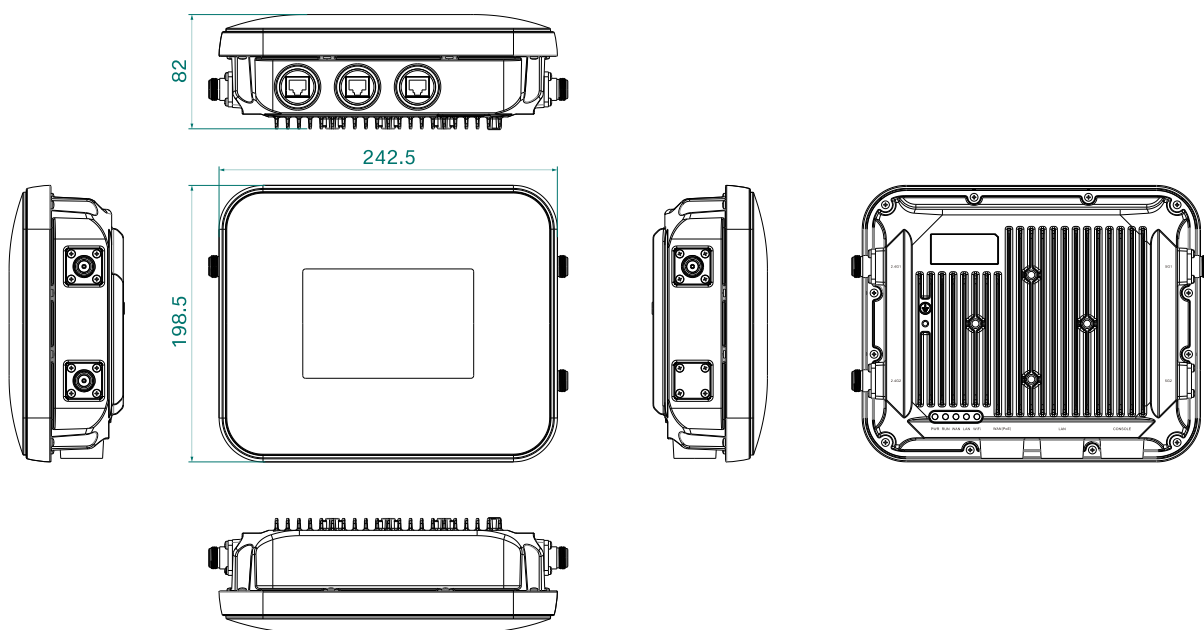
 Specification

Operating Temp	-40°C~+70°C
Storage Temp	-40°C~+85°C
Relative Humidity	5%~95% (non-condensing)
<b>Industry Standard</b>	
EMC	IEC 61000-4-2 (ESD): Level 4 (contact discharge ±8kV, air discharge ±15kV) IEC 61000-4-5 (Surge): Level 3 (power supply, network port: common mode)
Certification	CE, FC, RoHS



## Installation Dimensions

Unit:mm(first angle projection)





## Ordering Information

Standard Model	100M WAN Port	100M LAN Port	2.4GHz Antenna	5GHz Antenna	Input Voltage
MIAP6500-3N25-2T	1	1	2	1	PoE DC48V

## Contact Us

### Wuhan Maiwe Communication Co., Ltd

Address: No.52 Liufang Avenue, East lake High-tech Development Zone, Wuhan, China.

Tel: 027-87170217

Mail: [enquiry@maiwe.com](mailto:enquiry@maiwe.com)

Official site: [www.maiwe.com](http://www.maiwe.com)

Copyright © Maiwe Communication All rights reserved.