

MWE485-H8

RS485 8-Way Isolated Hub Converter



- Support mutual conversion between 1-channel master station RS485 and 8-channel slave station RS485
- Support baud rate of 300~460800bps. When the transmission distance is 1km, supports baud rate of 300~19200bps.
- The serial port supports 15kV electrostatic protection and common mode 4kV surge protection, and supports 2500kV photoelectric isolation protection between the master station and slave stations.
- Support automatic control of RS485 data flow direction, 32×8 node polling
- Support DC9~60V power input, anti-reverse connection
- Support wide operating temperature of -40℃~+85℃ to meet the application needs of industrial environment



 Product Introduction

MWE485-H8 is an industrial-grade rail-type serial port isolation hub converter that supports bidirectional transparent conversion between an RS485 master station and multiple RS485 slave stations. It can improve the RS485 bus structure and increase the load capacity and transmission distance of RS485. The product provides 1 master station RS485 and 8 slave station RS485 serial ports, supports DC9~60V power input, and adopts the standard DIN rail installation method to meet the needs of various industrial bus sites. Provides RS-485 star connection mode, changing the single structure of the original bus and bringing great convenience to network layout. The hardware adopts a fanless, low-power consumption, wide-temperature, and wide-voltage design. It selects industrial-grade components and supports a wide operating temperature of $-40^{\circ}\text{C}\sim+85^{\circ}\text{C}$, making it suitable for various harsh on-site environments. Products can be widely used in indoor and outdoor systems such as attendance, access control, PTZ control, food vending and parking lots.



Specifications

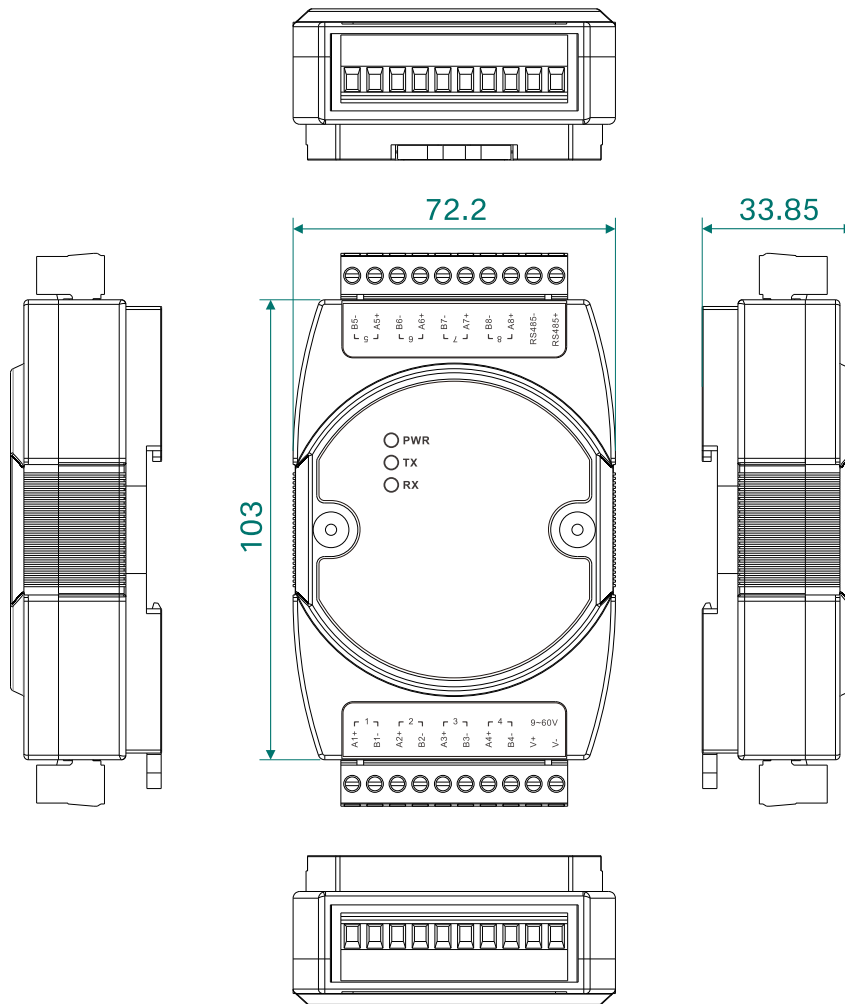
Interface	
RS485	<p>Standard: Comply with EIA/TIA RS485 standard</p> <p>Number of interfaces: 1 master station RS485 and 8 slave station RS485</p> <p>RS485 signal: A+, B-</p> <p>Baud rate: 300bps-460800bps</p> <p>Working mode: asynchronous half-duplex</p> <p>Communication distance: 1km (19200bps), the higher the speed, the shorter the distance</p> <p>Load capacity: Each RS485 channel supports 32 node polling</p> <p>Direction control: automatic control of data flow direction</p> <p>Pull-up and pull-down resistors: 1kΩ</p> <p>Connection method: 2 10-position 5.08mm pitch terminal blocks</p> <p>Interface protection: electrostatic protection (air discharge ±15kV), surge protection (common mode ±4kV)</p> <p>Photoelectric isolation: 2500kV</p>
indicator light	Power indicator light, serial port sending data indicator light, serial port receiving data indicator light
Power Supply	
power input	DC 9~60V
Full load power consumption	<0.5W@DC24V
Connection method	10-position 5.08mm pitch terminal block, 2 positions for power supply
Power protection	Anti-reverse connection
Physical Characteristics	
physical size	103×72.2×33.85(mm)(excluding rails)
Installation method	35mm standard DIN rail installation
Housing protection	IP40
weight	About 0.14kg
Working Environment	
Operating temperature	-40℃~+85℃
storage temperature	-40℃~+85℃

Specifications

Relative humidity	5%~95% (no condensation)
Industry Standard	
EMC	IEC 61000-4-2 (ESD): Level 4 (air discharge $\pm 15\text{kV}$) IEC 61000-4-5 (Surge): Level 4 (serial port: common mode $\pm 4\text{kV}$)
Certification	CE, FCC, RoHS

Installation Dimensions

Unit:mm (first angle projection)



Ordering Information

Standard model	Main station RS485	Slave RS485	Input Voltage
MWE485-H8	1	8	DC 9~60V

Contact Us

Wuhan Maiwe Communication Co., Ltd

Address: No.52 Liufang Avenue, East lake High-tech Development Zone, Wuhan, China.

Tel: 027-87170215/16

Fax: 027-87170217

Mail: enquiry@maiwe.com

Official site: www.maiwe.com

Copyright © Maiwe Communication All rights reserved.